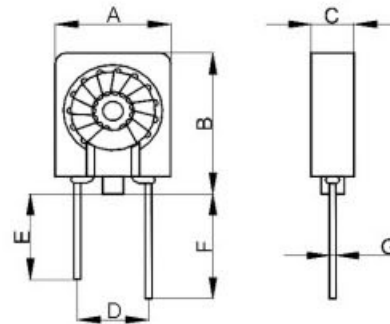


## External Dimensions

(Unit:mm)



Series	A(Max.)	B(Max.)	C(Max.)	D	E	F	G
As809535	8.0	9.5	3.5	5.0 ± 0.5	15.5 ± 1.0	19.5 ± 1.0	0.6 ± 0.3

## Feature

- ◆ Unique configuration
- ◆ Ideal for EMI filters
- ◆ Core is Ni-Zn ferrite
- ◆ Base material is Phenolic
- ◆ Highly accurate dimensions and taped for automatic inserting

## Application

- ◆ EMI line filter
- ◆ Personal computers
- ◆ Microcomputer and peripheral devices
- ◆ VCD,DVD and TV circuit
- ◆ Monitor
- ◆ Keyboard/wireless keyboard

## Product Identification

AS 80 95 35 - 560 U  
 a b c d e f

a. Series Name

AS AS Series

c. Base High(mm)

95 9.5mm

e. Inductance Value

4R7 4.7 uH

560 56.0uH

121 120.0 uH

b. Base Length(mm)

80 8.0mm

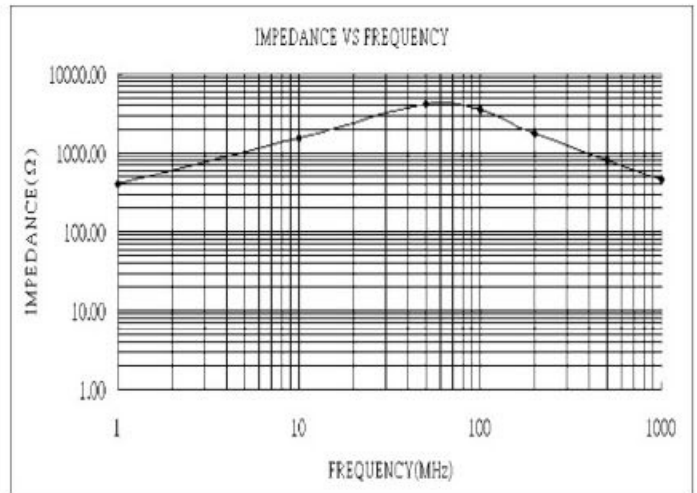
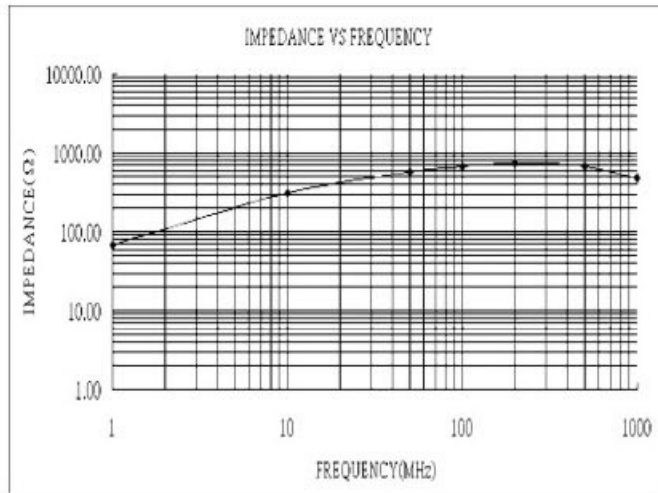
d. Base Thickness(mm)

35 3.5mm

f. Special Code

U Lead Free Product

## Typical Curve



## Electrical Characteristics

### AS809535 Series

Part Number	Inductance (μH)	Test Frequency (KHz)	Rated DC Current (A) Max.	Rated Voltage (V)
AS809535-4R7	4.7	1.0	0.5	50.0
AS809535-220	22	1.0	0.5	50.0
AS809535-330	33	1.0	0.5	50.0
AS809535-470	47	1.0	0.5	50.0
AS809535-560	56	1.0	0.5	50.0
AS809535-600	60	1.0	0.5	50.0
AS809535-820	82	1.0	0.5	50.0
AS809535-101	100	1.0	0.5	50.0
AS809535-121	120	1.0	0.5	50.0

### Note:

Test equipment: Inductance is measured with WK3260A Meter or equivalent.

Tolerance of Inductance: ±35%

Operating temperature range: -25°C to +85°C

※ Customer's Specification are welcome